

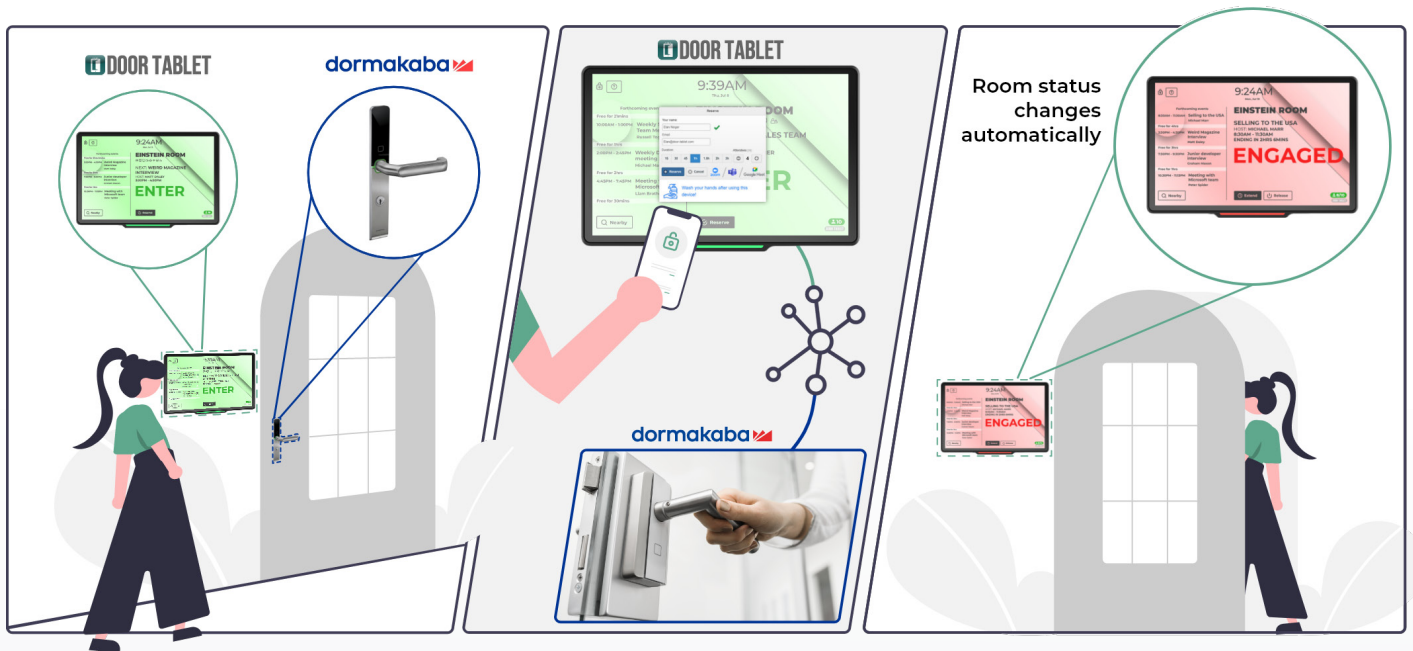
# dormakaba exivo + Door Tablet

Seamless Integration for Access Management



## Why Combine dormakaba exivo and Door Tablet

Door Tablet is an end-to-end solution for managing workspaces with interactive signage. It integrates natively with dormakaba access control and popular scheduling systems: Microsoft 365, Microsoft Exchange, Google Workspace and more. Door Tablet also integrates with proprietary schedule systems in education and healthcare.



### Visual and Secure

The combination of dormakaba and Door Tablet enables organizations to control access to secure areas based on schedule. This ensures the right people, at the right time, gain access to sensitive locations.

Organizations may leverage their investment in dormakaba by utilising it with Door Tablet. ID management in dormakaba may be exploited in Door Tablet to provide functions such as reserving a room, checking-in and out, and speedily performing other common functions for booking secure resources.

This enables you to manage your entire facility in a secure and transparent way. Enhance your secure smart building with visually appealing workspace schedule signage, branded to your environment.

### Security and Efficiency

With dormakaba and Door Tablet's flawless integration, sensitive physical resources are properly utilised, efficiently, and securely. Secure workspaces become bookable in your familiar scheduling system. Take advantage of insights into how your facility is used, by whom and when, with resource usage analytics.

### Brand your Environment

Enhance the look of your facility with Door Tablet workspace signage, while ensuring physical access with dormakaba. Instantly book any resource from any display, with confidence and security. The joint solution is reliable, flexible, modular, and expandable. Deployment is fully customisable, both in terms of looks and business rules.

**dormakaba**   
Solution Provider

## Ultimate Ease of Booking

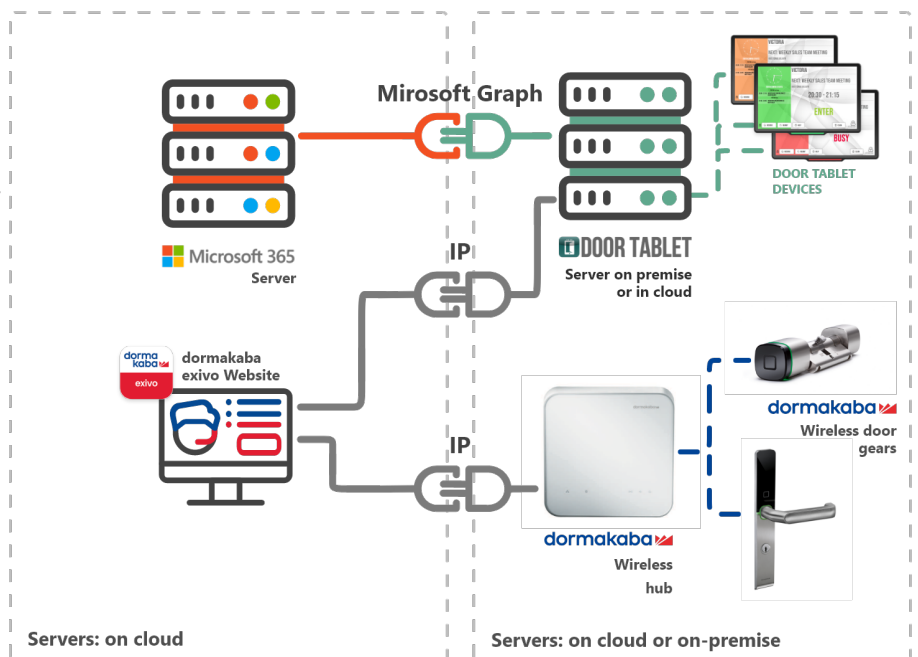
In addition to booking meeting spaces via your scheduling system, Door Tablet enables booking from all interactive displays. Tapping “Nearby” on any display pulls up an overview of other workspaces that may be booked immediately. This ensures that a user can always find a free workspace, from any interface.

## Professional Displays

Door Tablet works as a native app on any tablet OS, so you can use existing hardware to begin, before moving to professional hardware. For best results, use our robust, purpose-built tablet devices to take advantage of their extended features and robust lifespan. Professional displays work “out of the box” and include mounting kit for any surface, enabling you to put them up immediately. Professional displays also include LED lights, PoE and WiFi, and enable the admin to send devices to sleep over nights and weekends, saving energy costs and creating a healthier environment.

## Comprehensive Analytics

Analytics data is collected for every action, allowing you to audit workspace usage. Utilise Door Tablet with your analytics to pinpoint users who mismanage resources, such as booking rooms without using them. Enable ‘no-show’ rooms to free themselves for everyone’s usage if a ‘no-show’ threshold is reached. Enjoy access to daily, weekly, monthly, annual or “any-interval-you-want” reports. Armed with these reports, you can investigate the underlying reasons behind usage patterns and transform the way you use workspaces and manage meetings.



## Secure System Management

Door Tablet can run either on-prem or in your private cloud, giving you complete security control. Manage all administrator functions using a web browser. Administrators have full control of the Door Tablet system and can finetune the levels of security and authorizations. Enable or disable security features, including booking and meeting information security. You decide what functions are enabled for different rooms. For example, block a specific touchscreen from being used to book rooms unless the user is authorized. Different users may be allocated different booking privileges via PIN numbers or RFD/NFC. You decide which rooms are available, at what time, and where these rooms may be booked - from the booking system, or from the touchscreens outside the room.

**dormakaba**   
Solution Provider

<https://door-tablet.com> | [sales@door-tablet.com](mailto:sales@door-tablet.com)

UK: +44 800 910 1131 | USA: +1 407 545 5925

Server software is available for download after registration

Tablet apps are available from Apple, Google and Microsoft Application stores.

Search: door tablet, dormakaba, exivo

Door Tablet is a trademark of Public.Class Limited. All other trademarks belong to their respective owners.

 **DOOR TABLET**

DT\_DK-V1.2 20210819