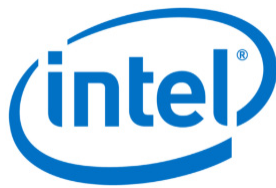


Door Tablet WM

Workspace Signage Touch Display



Our stylish, purpose-built, 10.1” touchscreen tablet that runs on Microsoft Windows is placed outside your meeting spaces. Part of the Door Tablet WIN family



Easy to Install

Works “out of the box”. Mounting is optional and can be provided by us. This makes it easy to mount on most surfaces including glass, brick and metal. Easily connect to a Door Tablet Motion Sensor using a USB cable.



LED Lighting on the Sides

Bright and colorful LED lights on the sides clearly signal that a room is free or busy and are visible from a distance - so there is no need to walk up to a room to see its status.



eMMC and SSD Storage

No reason to panic in the event of a sudden power loss as the Door Tablet WM has 64GB SSD storage and eMMC ensuring any data on the WM is not corrupted.



Attractive and Sturdy

It is sleek and slim (3.6cm deep) with 10.1” high resolution (1280 x 800 dpi) full color touchscreen meaning it not only looks good, but the display is easy to read and provides smooth interaction. The screen is tempered glass meaning it is tough and easy to clean.



Readable at Wide Viewing Angles

The display with Projected Capacitive Multi-Touch (P-CAP) ensures the screen can be read comfortably at a distance and at wide angles so there’s no need to get up close to read what’s being displayed.



Power over Ethernet (PoE+) Built-in

A single PoE+ cable enables a clean installation and the important benefit of full power management to save costs and the environment. Shut down and restart screens as needed. Requires 27W PoE.



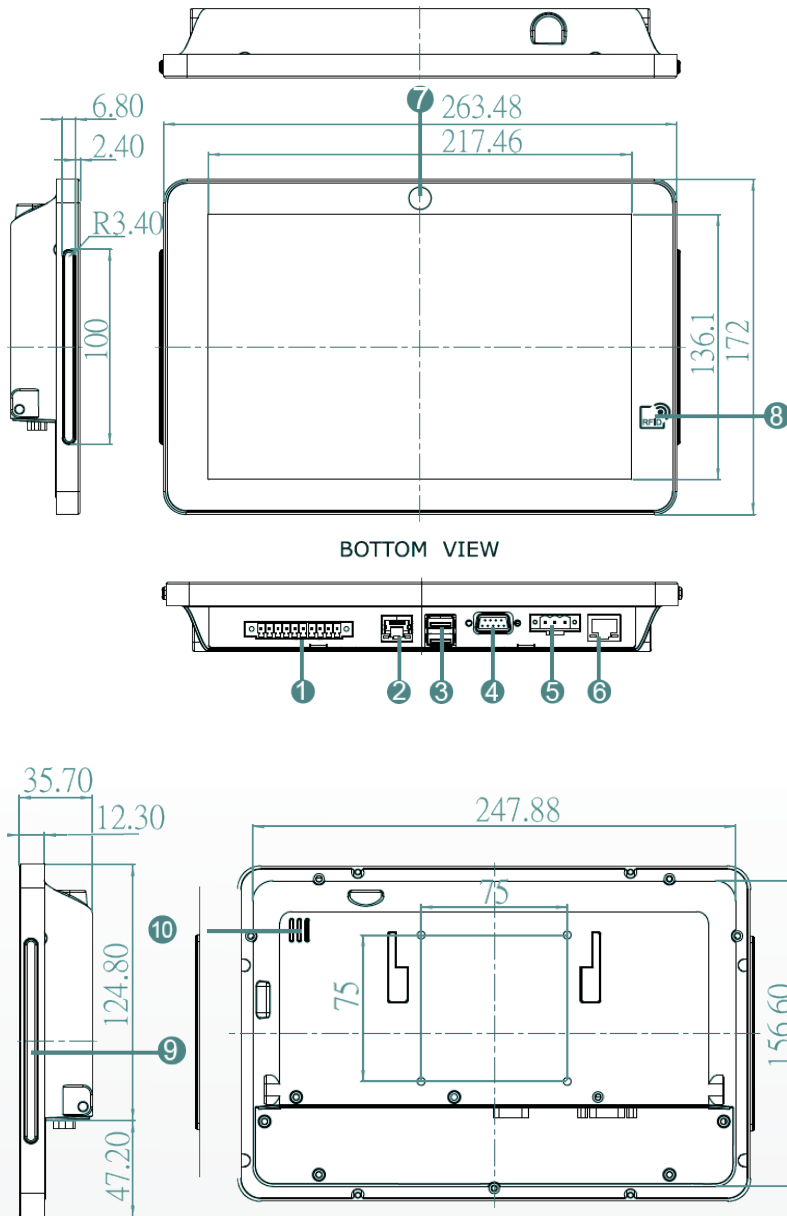
Low-Power System with Intel Processor

A fanless cooling system ensures silent running and ultra-low power consumption for ultimate power efficiency. With Intel inside you are assured a reliable system.



RFID Supports for NFC & HiD

Optional RFID/Mifare/FeliCa/HiD card types enable easy identification of users entering rooms by tapping in and out of meetings. Administrators can audit room usage, control who can book rooms and even decide who can enter rooms.



- | | |
|--------------------------|---------------------------|
| 1. GPIO (Optional) | 6. RJ-45 (LAN/PoE) |
| 2. RJ-45 (LAN) | 7. 2MP Front Camera (Opt) |
| 3. USB 2.0/USB 3.0 | 8. HF RFID Reader (Opt) |
| 4. RS232/422/485 | 9. LED Status Light Bar |
| 5. 12V DC Terminal Block | 10. 1 Watt Speaker |

Features

CPU	Intel® Celeron® Bay Trail-M N2930 1.83GHz
Memory	2GB DDR3L 1600 SODIMM
Storage	64GB M.2 SSD
OS	Windows 10 Pro
LAN	Dual Intel® I210-AT GbE
PoE+	Yes
Wi-Fi	Yes

Display

Size	10.1"
Resolution (Max.)	1280 x 800
Brightness	350cd/m
Max Colors	16.7M
Viewing angle (H/V)	-85-85/-85-85

I/O Interface

Ethernet	RJ45 (10M/100M/1000 Mbps)
USB	1x USB2, 1x USB3
Analog Stereo out	3.5mm stereo
Expansion storage	Micro SDHC slot
Speaker	1W

Mechanical

Dimensions	263.28 x 171 x 35.7 (mm)
Weight	910g / 1.56 lbs
Mounting	VESA Mount(75x75mm) Panel Mount
Housing	Metal
Environment	Operating Temp. 0-50°C Humidity: 10 to 85%
Power	DC 12V, 1.5A
Certification	CE/FCC/RoHS

<https://door-tablet.com> | sales@door-tablet.com

UK: +44 800 910 1131 | USA: +1 407 545 5925

Server and Door Tablet WM software are available for download after registration
Windows software is available from door-tablet.com - Door Tablet WIN Package

